



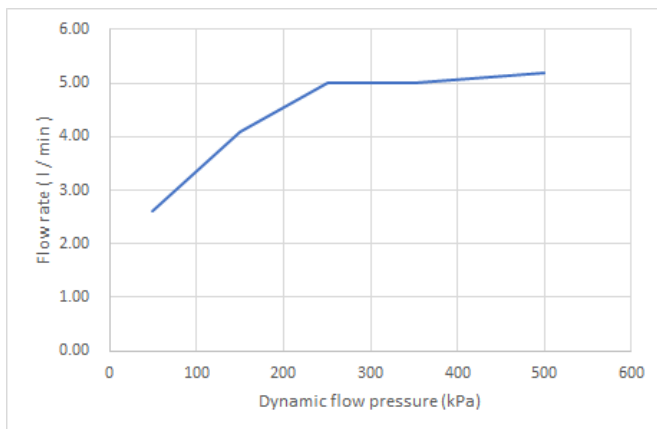
PROJECT		REF		REV	ITEM CODE	
LOCATION		DATE			PAGE	

SANITARY WARE SPECIFICATION SHEET

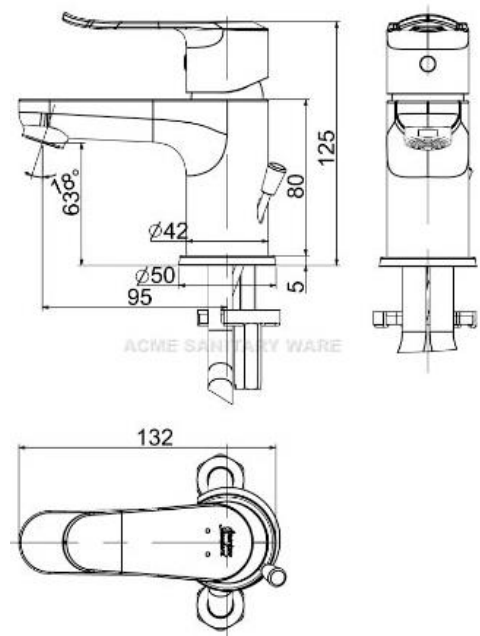
Item Descriptions	American Standard (PRC) "Neo Modern" Chrome plated single lever mixer with pop-up waste; Nominal flow rate 4.7L/Min in WELS Grade 1 ; Registration No. TM 17-0100	<p>Illustration/ Drawing</p>
Model	CF-0701.101.50 (Mixer) 64647040 (Aerator)	
Finish	Chrome Plated	
Manufacturer	American Standard (PRC)	
Source	Acme Sanitary Ware Co. Ltd Mr. Eric Wong / Mr. Wilson Hung	
Contact Tel/Fax	(852) 2388-7171 / (852) 2710-8012	
E-mail	acme@acmesanitary.com.hk	
Website	www.acmesanitary.com.hk	

DETAILS

- Water Saving: Conserving water is as important to us as it is to you. It makes ecological and economical sense. After all, the less water you use, the better future we have.
- Ceramic Disc Cartridge: American Standard patents its ceramic disc valve technology which keeps faucets drip-free with smooth handle performance for a lifetime of use.
- Design Philosophy: American Standard products are designed to express the uniqueness of your personality. Our design philosophy focuses on total relaxation, maximum utility and technological innovations.



Dynamic flow pressure (kPa)	50	150	250	350	500
Flow rate (l/min)	2.60	4.10	5.00	5.00	5.20



* All information of the above is for the reference only. No prior notice is made if any changes.

註冊號碼 (Registration No.): TM 17-0100



白願參與用水效益標籤計劃 - 水龍頭
Voluntary Water Efficiency Labelling Scheme - Water Taps



茲證明
This is to certify that

將下列水龍頭在本計劃內註冊：
has registered the following water tap under this scheme :

牌 子 / Brand	:	American Standard
型 號 / Model	:	64647040 + CF-0701.101.50
種 類 / Type	:	Mixing
原產地 / Country or Region Origin	:	China

在用水效益標籤上展示的標誌 <i>Symbolic Presentation on the Water Efficiency Label</i>	:		滴水點 <i>Water droplet(s)</i>
用水效益級別 <i>Water Efficiency Grade</i>	:	1	
耗水量 <i>Water Consumption</i>	:	4.7	公升/分鐘 <i>litres/minute</i>

簽發日期：
Date of Issue: 15 August 2017



水務署署長(周世威代行)
for Director of Water Supplies



水務署
Water Supplies Department

總部 Headquarters

香港灣仔告士打道七號入境事務大樓 48 樓

48/F, Immigration Tower, 7 Gloucester Road, Wan Chai, Hong Kong

本署檔
Our ref.
來函檔
Your ref.



21/2020 T/J(1465/2020)

電話

Tel.

傳真

Fax.

: 2824 0578

9 February 2021



Dear Sir,

**Approval of "AMERICAN STANDARD" Basin Mixer
(General Acceptance No. C20210119)**

Your letters ref. C-WSD/0669 and C-WSD/0693 dated 9 November 2020 and 4 January 2021 respectively refer.

Having considered the test report ref. J25346r2 issued on 18 December 2020 by Nutek Systems (HK) Ltd., this Authority accepts that the fitting described below complies with, and its use when correctly installed does not contravene, the Waterworks Ordinance and Regulations.

Name of Manufacturer: American Standard
Country of Origin: the Mainland of China
Brand: American Standard
Details of Fitting: 1/2" Single lever basin mixer
Model: CF-0701.101.50
Body Markings: *American Standard*
Expiry Date: 2 June 2025



This Authority hereby permits the use of the above fitting in fresh water plumbing systems subject to full adherence to Waterworks installation requirements. In particular, you are required to draw your customers' attention to the following requirement-

“The cold water supply to the fitting shall be drawn from the same source that supplies the hot water apparatus so as to provide a balanced pressure and to obviate the risk of scalding in the event of a restriction or failure in the water supply.”

A condition of this acceptance is that the fitting to be installed shall be replicas of the sample as certified by the testing agent mentioned above and without modifications. This acceptance may be withdrawn at any time if the standard of the fitting installed fails to meet that of the approved sample or if the fitting is found to be unsuitable for use in fresh water plumbing systems.

This acceptance is only applicable to the main body of the fitting, unless otherwise specified.

For the use of the fitting in any project, the General Acceptance Number of this letter must be quoted as a means of identification of acceptance of the fitting by this Authority.

Should you have any enquiries, please contact our Engineer Mr. Terry KUNG at tel. no. 3583 4086.

Yours faithfully,



(CHAN Chung-kun)

for Director of Water Supplies

Encl.

c.c. WSD 3321/1/82] - without catalogue
ME/MC] - with soft copy only